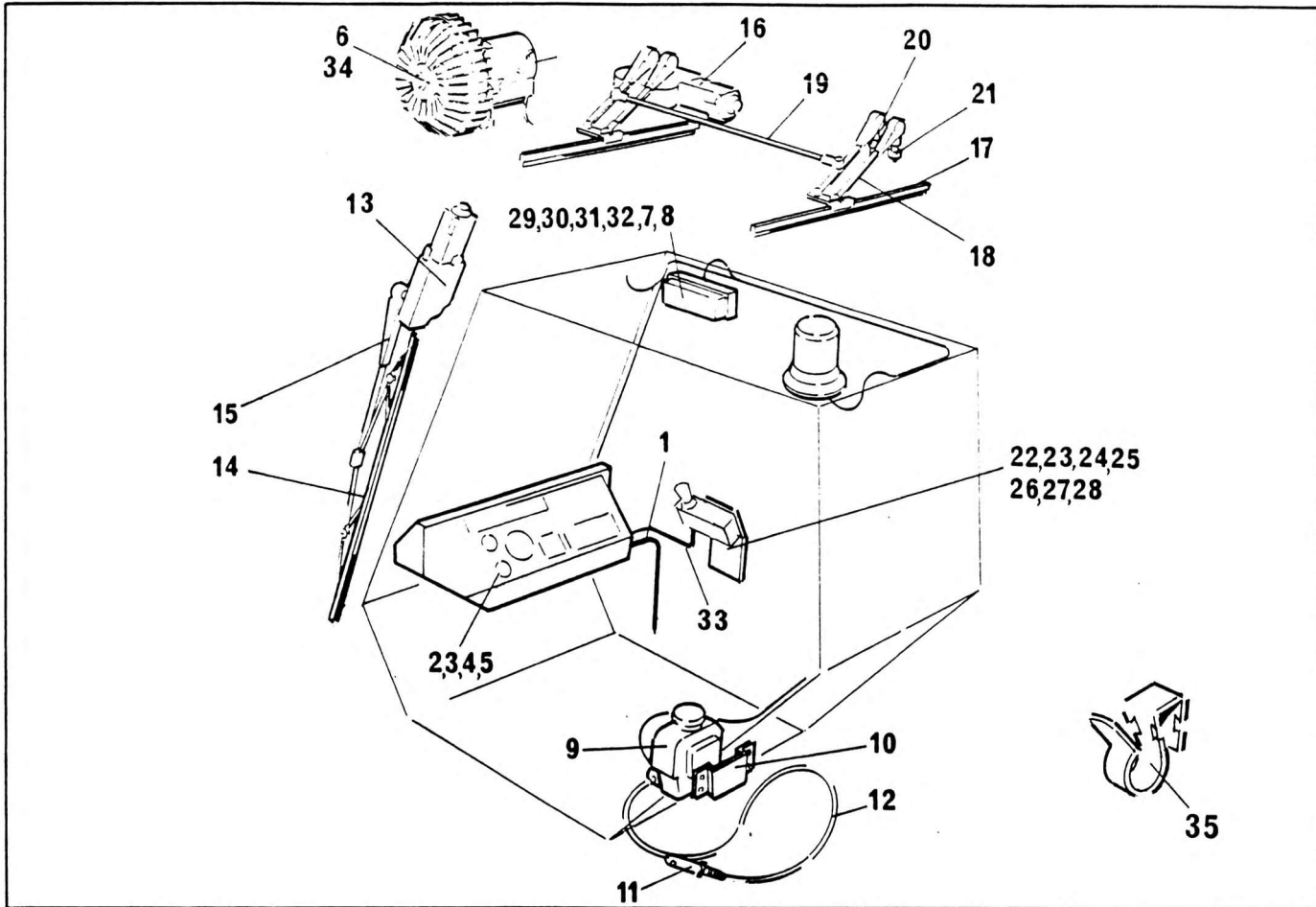


ELECT ASSY TURNTABLE CAB



NO.	PART NO.	QTY.	DESCRIPTION	NO.	PART NO.	QTY.	DESCRIPTION
1	6-512-990268	1	Harness Assy	24	7067202	4	Washer Spring 5/32
2	6-978-990644	1	Dash Assy	25	6-184-991868	1	Bracket Support
3	7069102	4	Nut M6	26	7067214	2	Washer Spring M6
4	7066536	4	Washer M6	27	7066536	2	Washer M6
5	7067214	4	Washer Spring M6	28	7045101	2	Screw M6 x 12 Long
6 +	7-425-990023	1	Fan	29	7090006	2	Bolt M5 x 20
7 +	7-581-990206	1	Light Cab	30	7-661-130003	2	Nut M5
8	7058101	6	Screw Self 1/2" Long Pan Head	31	7-951-130014	2	Washer Flat M5
9	7-348-990004	1	Container Assy	32	7-951-130210	2	Washer Spring M5
10	7-184-990023	1	Bracket	33	6-512-990289	1	Harness E.G.S.
11	7-304-990016	1	Jet Assy	34	7-872-000568	1	Toggle Switch
12	6-543-991371	1	Hose	35	8384246	4	Clip
13	7-632-990060	1	Motor Wiper				
14	8785269	1	Blade Wiper				
15	7-033-990066	1	Wiper Arm				
16	7-632-990061	1	Motor Wiper				
17	8382573	2	Blade Wiper				
18	7-033-990067	2	Wiper Arm				
19	7-768-990054	1	Connector Rod				
20	7-810-990124	1	Spindle				
21	7-099-990173	1	Idler Bolt				
22	7040004	4	Screw 4BA x 1/2" Long				
23	7066905	4	Washer Plain 4BA				
23	7066905	4	Washer Plain 4BA				

+ See further breakdown in this group